

The TDC 22M PRO and TDC 30 PRO models are vacuum cleaners suitable for continuous use, 24/7, without the need for special maintenance. The main feature of these machines is their versatility of use, focusing on the suction of both dust and solids.

TECHNICAL FEATURES **TDC PRO**

MODELS	TDC 22M	TDC 30
MOTORIZATION	Turbine	Turbine
POWER	2,2 kW	3 kW
VOLTAGE	230 V	400 V
FREQUENCY	50 Hz	50/60 Hz
AMPERAGE	16 A	6,7 A
AIR FLOW	320 m ³ /h	320 m ³ /h
DEPRESSION	200 mBar	250 mBar
MAX DEPRESSION	300 mBar	320 mBar
Ø NOZZLE	Tangential ø 60 mm	Tangential ø 60 mm
BODY DIAMETER	ø 460 mm	ø 460 mm
DIMENSIONS	85 x 65 x 199 cm	85 x 65 x 199 cm
WEIGHT	92 Kg	92 Kg
FILTERING SYSTEM	TDC 22M	TDC 30
FILTER TYPE	Cartridge	Cartridge
PRIMARY FILTER - SURFACE	22.000 cm ²	22.000 cm ²
FILTER MEDIA	M Conductive	M Conductive
SECONDARY FILTER	OPT - HEPA	OPT - HEPA
FILTER CLEANING	Semi Automatic Pneumatic Piston	Semi Automatic Pneumatic Piston
COLLECTION SYSTEM	TDC 22M	TDC 30
CAPACITY	100 Liters	100 Liters
LONGOPAC BARREL INTERCHANGEABILITY	YES	YES



Class M conductive aluminised cartridge primary filter, HEPA secondary filter

Finned filter protection for reduced clogging

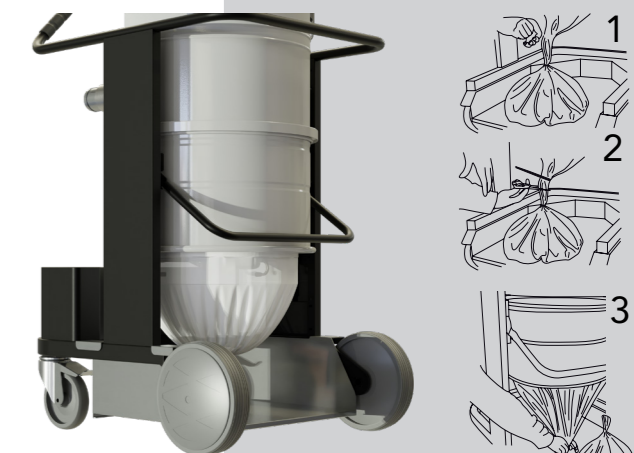


Semi-automatic cleaning system with pneumatic piston



Easy barrel release system

Longopac® continuous bag discharge system



Available in **ATEX** version

